

# Diode Pumped Solid State Laser

## LQ-527-12

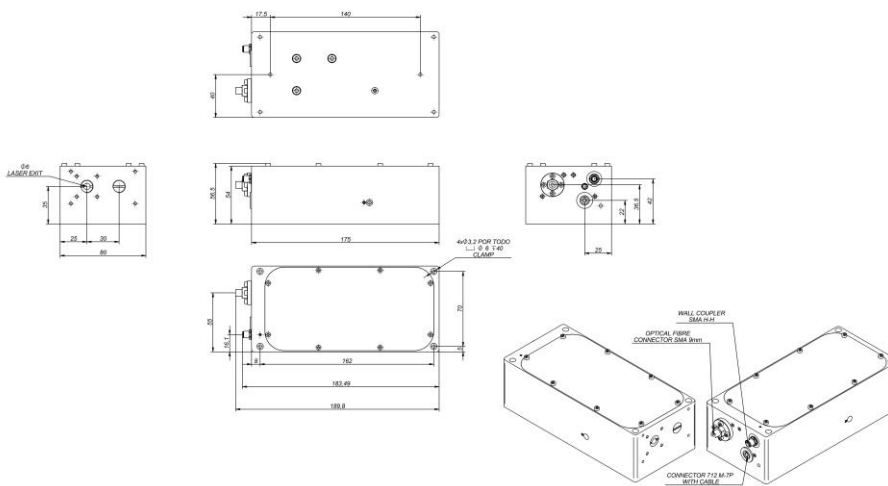
### Features:

- Diode Pumped Solid State Laser for retina regeneration
- Short laser pulses of 1.7ms with up to 1mJ
- Wavelength: 527nm

### Suitable for:

- Material processing
- LIBS/RAMAR Spectroscopy
- LIDAR & WIND LIDAR

### LQ-527-12 | 1 bar package



LQ-527-12

Product specification are subject to change without notice.  
For complete details, please contact your local MONOCROM sales representative.

UNE EN ISO 9001:2015

**MONOCROM S.L.**

C/Vilanoveta 6  
08800 Vilanova i la Geltrú (Barcelona)  
Spain  
T. +34 938 149 450  
F. +34 938 143 767  
E. sales@monocrom.com  
www.monocrom.com

## LQ-527-12 | TECH Specifications

	Minimum	Operation	Max. rating
<b>Laser Head</b>			
Wavelength [nm]		527	
Pulse energy [ $\mu$ J]	800		1000
Pulse-to-pulse energy stability [%]			95
Pulse width (FWHM) [ $\mu$ s]	1,53	1,67	1,87
Effective pulse duration [ $\mu$ s]	1,55	1,84	2,06
Repetition rate [Hz]	99	100	200
Amplitude variation, typical ( $P_{end}/P_{peak}$ ) [%]		50	
Ripple within one pulse <sup>(1)</sup> [%]			10
Fluctuation of the ratio [%]			10
Output beam centering <sup>(2)</sup> [mm]		0,4	0,5
Beam quality [ $M^2$ ]		1,5	1,6
Far field beam divergence [mrad]	4	5	6
<b>Mechanics</b>			
Operation temperature [°C]	22	25	28
Stabilization time [s] (TBC)		10	30
Laser beam point stability [ $\mu$ rad]			50
Dimension [mm]		191 x 80 x 56,5	
Laser Safety Classification		Class 4	
<b>Pumping LD not included. Suggested LD features:</b>			
Wavelength [nm]		804	
Current [A]		50	
Voltage [V]		2	
Pulse width [ $\mu$ s]		800	
Fiber core [ $\mu$ m]		200	
Fiber NA		0,22	

1. From maximum amplitude
2. From the center of laser exit window

LQ-527-12

Product specification are subject to change without notice.  
For complete details, please contact your local MONOCROM sales representative.

UNE EN ISO 9001:2015

**MONOCROM S.L.**

C/Vilanoveta 6  
08800 Vilanova i la Geltrú (Barcelona)  
Spain  
T. +34 938 149 450  
F. +34 938 143 767  
E. sales@monocrom.com  
www.monocrom.com