



Diode Pumped Solid State Laser

MP532-3W

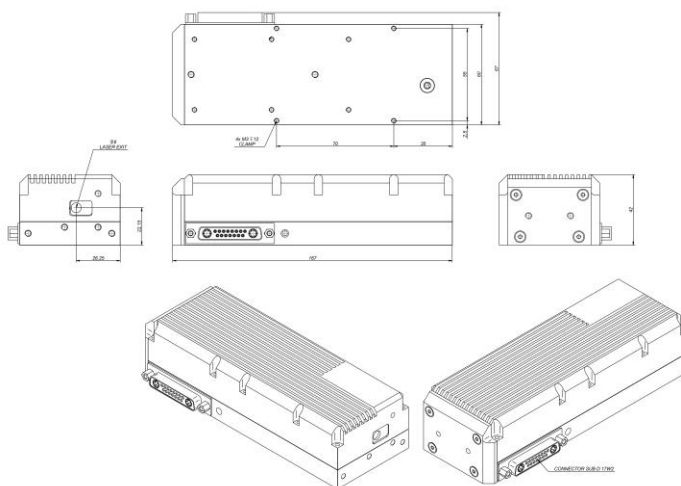
Features:

- 3W@532 nm at continuous wave (CW) and 5W Quasi-continuous wave (QCW).
- Clamping technology mounted laser diode bar for pumping.
- Power on demand (switching On-Off).
- Multi-Path® technology
- Low cooling requirements
- High power stability.
- Monitor photodiode

Suitable for:

- Ophthalmology
- Dermatology
- Entertainment
- Industrial
- OPO/DYE/Ti: sa Laser pumping

MP532-3W | 1 bar package



MP532-3W

Product specification are subject to change without notice. For complete details, please contact your local MONOCROM sales representative.

UNE EN ISO 9001:2015

MONOCROM S.L.

C/Vilanoveta 6
08800 Vilanova i la Geltrú (Barcelona)
Spain
T. +34 938 149 450
F. +34 938 143 767
E. sales@monocrom.com
www.monocrom.com

MP532-3W | TECH Specifications

	Minimum	Operation	Max. rating
Optical			
Wavelength [nm]	531	532	533
CW output peak power [W]		3	4
Modulated output peak power [W]		8	10
Output beam size [µm]		120x80	
Beam position (height) [mm]		22	
Divergence [mrad]			10
M ²			4
Electrical			
LD operating current, typ. [A]	10	28	40
LD operating voltage [V]	1,6	1,7	1,9
Monitor PD voltage (@3W, 10 kΩ) [V _{dc}]		1,5	2
LD TEC current [A]			8
LD TEC voltage [V _{dc}]		14	
NLC TEC current [A]			2
NLC TEC voltage [V _{dc}]		4,8	
Laser pulse duration [ms]	10		2500
Repetition rate [Hz]	1	25	CW
Rise and fall time ⁽¹⁾ [ms]	0,5 ⁽²⁾	2	5 ⁽³⁾
Warm up time ⁽²⁾ [s]			30
Power stability, short time (RMS) [%]			1
Mechanics			
Operation temperature (housing) ⁽³⁾ [°C]	15		45
Weight [g]		900	
Dimensions [mm ³]		67x42x167	
Expected Lifetime [h]		10000	
Laser class (EN-60825)		4	

1. Rise time for pulsed conditions, measured at 25Hz and 50%DC
2. Defined as the time required for laser stabilization (time to establish LD and NLC operation temperature and crystal thermal lens). In pulsed mode, the warm up time only affects the first pulses.
3. Within the temperature range, optical power could vary ±10%, to be compensated from the monitor photodiode signal through PID. For higher temperatures, laser head should be mounted on a cooled surface with a capacity to remove 60W waste heat at max. housing Temp

MP532-3W

Product specification are subject to change without notice.
For complete details, please contact your local MONOCROM sales representative.

UNE EN ISO 9001:2015

MONOCROM S.L.

C/Vilanoveta 6
08800 Vilanova i la Geltrú (Barcelona)
Spain
T. +34 938 149 450
F. +34 938 143 767
E. sales@monocrom.com
www.monocrom.com