



# Actively Cooled Laser Bar Stack

## *A-Stack* $\lambda$ 780-830nm

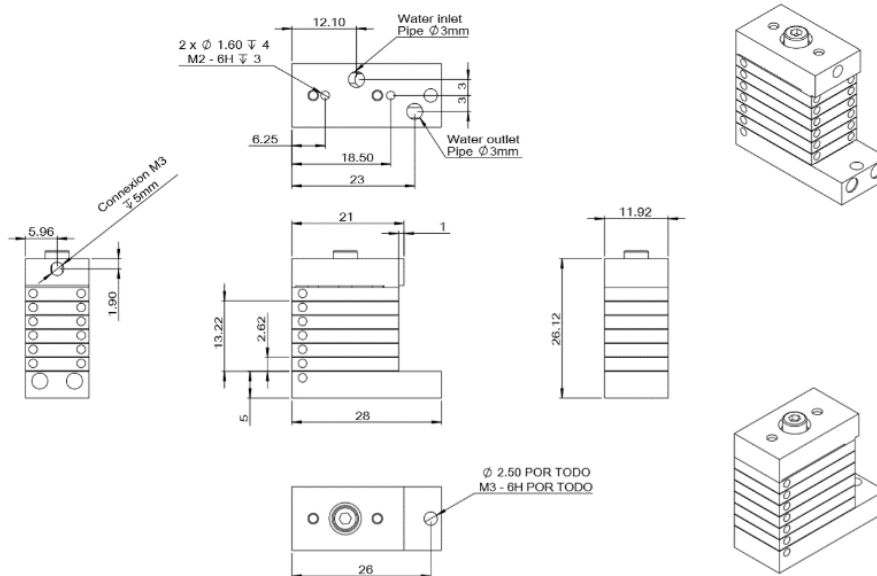
### Features:

- Improved cooling efficiency
- No “smile” effect
- Bars on demand
- Central wavelength on demand

### Suitable for:

- Hair Removal
- Surgical Cardiology
- Ophthalmology
- Interstitial Laser induced Thermotherapy
- Odontology
- Material processing
- Printing

### *A-Stack* $\lambda$ 780-830nm | 1 bar package



A-STACK / 780- 830nm

Product specification are subject to change without notice.  
For complete details, please contact your local MONOCROM sales representative.

UNE EN ISO 9001:2015

**MONOCROM S.L.**

C/Vilanoveta 6  
08800 Vilanova i la Geltrú (Barcelona)  
Spain  
T. +34 938 149 450  
F. +34 938 143 767  
E. sales@monocrom.com  
www.monocrom.com

## A-Stack $\lambda$ 780-830nm | TECH Specifications

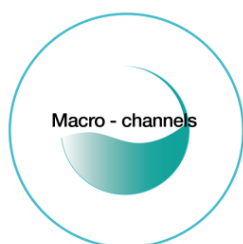
### Laser Parameters

Type	actively cooled stack
Wavelength <sup>(1)</sup> [nm]	780 - 830
Wavelength tolerance [nm]	$\pm 20$
Spectral width [nm]	3
Wavelength shift [nm/K]	0.27
Output power <sup>(2,3)</sup> [W]	CW - up to 100 / QCW - up to 500
Operating current [A]	CW < 120 / QCW < 480
Efficiency coefficient [W/A]	1.2
Voltage @ connectors <sup>(4)</sup> [V]	2 - 30
Bar to bar pitch [mm]	down to 1.5
Optics (optional)	FAC / SAC / BT
Bars per stack <sup>(5)</sup>	1 - 15
Smile [ $\mu$ m]	< 0.3

1. Other wavelengths on request.
2. Expected output power. Can varies based on current and temperature.
3. Specification are subjected to chips availability.
4. Voltage from the power supply must be higher, as due to high current there will be a voltage drop in the cables.
5. Pitch dependent.

## Macro-channels

Our patented solder-free technology is used in our diode bars stacks; no water obstructions thanks to the use of macro-channels.



A-STACK / 780- 830nm

Product specification are subject to change without notice.  
For complete details, please contact your local MONOCROM sales representative.

UNE EN ISO 9001:2015

**MONOCROM S.L.**

C/Vilanoveta 6  
08800 Vilanova i la Geltrú (Barcelona)  
Spain  
T. +34 938 149 450  
F. +34 938 143 767  
E. sales@monocrom.com  
[www.monocrom.com](http://www.monocrom.com)