



Actively Cooled Laser Diode Package

AS-Mount λ 930-940nm

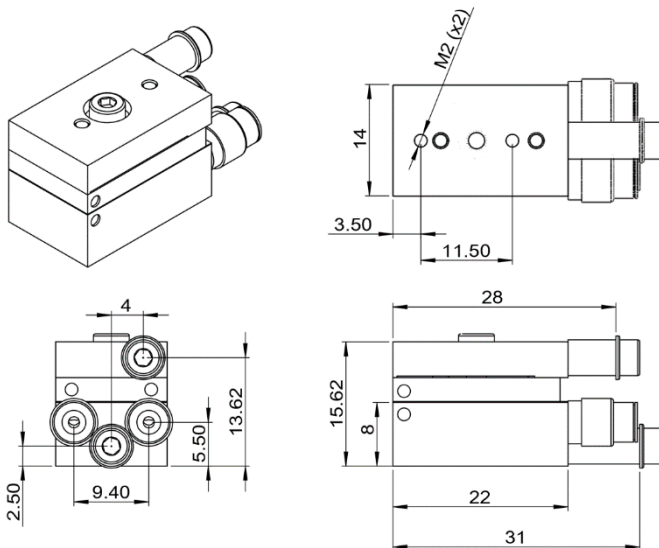
Features:

- Improved cooling efficiency
- No “smile” effect
- Bars on demand
- Central wavelength on demand

Suitable for:

- Hair Removal
- Surgical Cardiology
- Ophthalmology
- Aesthetics
- Odontology
- Material processing
- Gated imaging

AS-Mount λ 930-940nm | 1 bar package



AS-MOUNT / 930- 940nm

Product specification are subject to change without notice.
For complete details, please contact your local MONOCROM sales representative.

UNE EN ISO 9001:2015

MONOCROM S.L.

C/Vilanoveta 6
08800 Vilanova i la Geltrú (Barcelona)
Spain
T. +34 938 149 450
F. +34 938 143 767
E. sales@monocrom.com
www.monocrom.com

AS-Mount λ 930-940nm I TECH Specifications

Laser Parameters

Type	actively cooled mount
Wavelength ⁽¹⁾ [nm]	930 - 940
Wavelength tolerance [nm]	± 20
Spectral width [nm]	3
Wavelength shift [nm/K]	0.27
Output power ^(2,3) [W]	CW - up to 120 / QCW - up to 300
Operating current [A]	CW < 120 / QCW < 320
Efficiency coefficient [W/A]	1.2
Voltage @ connectors ⁽⁴⁾ [V]	2
Optics (optional)	FAC / SAC / BT
Smile [μ m]	< 0.3

1. Other wavelengths on request.
2. Expected output power. Can varies based on current and temperature.
3. Specification are subjected to chips availability.
4. Voltage from the power supply must be higher, as due to high current there will be a voltage drop in the cables.

High Brightness

The lack of a "smile" effect allows a superior beam quality. Together with a double-side macro channel coolers our diode bars achieve higher energy per pulse and excellent beam quality, thus higher brightness.



AS-MOUNT / 930- 940nm

Product specification are subject to change without notice.
For complete details, please contact your local MONOCROM sales representative.

UNE EN ISO 9001:2015

MONOCROM S.L.

C/Vilanoveta 6
08800 Vilanova i la Geltrù (Barcelona)
Spain
T. +34 938 149 450
F. +34 938 143 767
E. sales@monocrom.com
www.monocrom.com