



# Direct Diode

## *Monocrom @MINI Direct Diode*

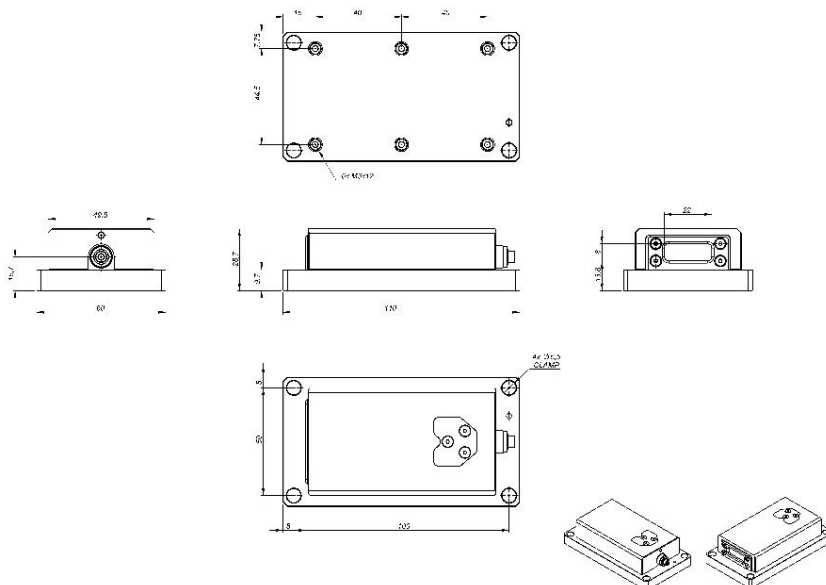
### Features:

- Clamping™ Patented Technology (Solder free mounting of laser bars)
- Long lifetime
- High reliability
- Low thermal resistances
- Wide storage temperature - 40° C to + 85° C
- No SMILE effect

### Suitable for:

- Imaging
- Printing
- Illumination
- Soldering

## *Monocrom @MINI Direct Diode*



### Monocrom@MINI Direct Diode

Product specification are subject to change without notice.  
For complete details, please contact your local MONOCROM sales representative.

UNE EN ISO 9001:2015

### MONOCROM S.L.

C/Vilanoveta 6  
08800 Vilanova i la Geltrú (Barcelona)  
Spain  
T. +34 938 149 450  
F. +34 938 143 767  
E. sales@monocrom.com  
www.monocrom.com

## Monocrom @MINI Direct Diode I TECH SPECIFICATIONS

Laser Parameters <sup>(1,2,3,4)</sup>	
Wavelength <sup>(5)</sup> [nm]	760 - 2200
Wavelength tolerance [nm]	± 20
Linewidth [nm]	< 5
Wavelength shift [nm/K]	0.3 @ 808 / 0.55 @ 1550
Optical power [W]	up to 120 (passively) / up to 250 (actively)
Operating current [A]	< 135 (passively) / < 270 (actively)
Threshold current [A]	< 15
Voltage @ connectors <sup>(6)</sup> [V]	2
Optical efficiency [%]	> 85
Smile [µm]	< 0.3
Optics	
Emission height from base plate [mm]	5
Emission width [mm]	10
Vertical divergence <sup>(7)</sup> [mrad]	15 typ.
Horizontal divergence <sup>(7)</sup> [mrad]	10 typ.
Body	
Heatsink temperature [°C]	non-condensing to 20
Heatsink capacity [W]	< 120
Weight [g]	500
Electrical connections	threads M4
Laser class product (EN-60825)	4
Expected lifetime [hours]	20000

1. This is a preliminary specification sheet, validation of specification is in process.
2. If any other requirements are needed, please contact us.
3. Specifications at 20 °C, at the beginning of the lifetime.
4. Specification are subjected to chips availability.
5. Other wavelengths on request.
6. Voltage from the power supply must be higher, as due to high current there will be a voltage drop in the cables.
7. Measured at FW95% energy.

Monocrom@MINI Direct Diode

Product specification are subject to change without notice.  
For complete details, please contact your local MONOCROM sales representative.

UNE EN ISO 9001:2015

**MONOCROM S.L.**

C/Vilanoveta 6  
08800 Vilanova i la Geltrú (Barcelona)  
Spain  
T. +34 938 149 450  
F. +34 938 143 767  
E. sales@monocrom.com  
www.monocrom.com