



CW Laser Pumping Source

PH720

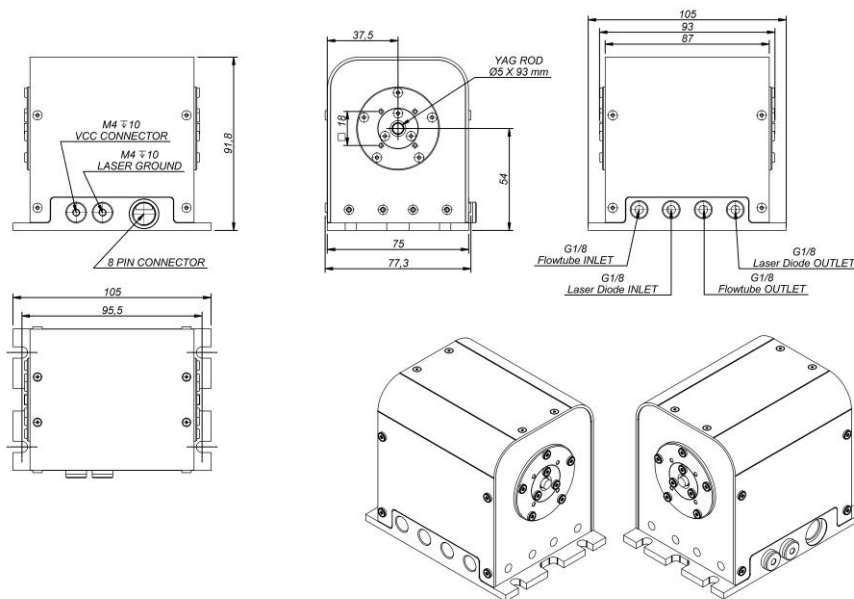
Features:

- Optimum lensing performance
- High gain uniformity
- High energy before self-focusing
- Solder-free clamping technology inside
- Extended lifetime
- Water cooled using macro-channels for
- Low maintenance

Suitable for:

- Oscillators
- Regenerative amplifiers
- Free rotation of the pumping chamber

Outline PH720



PH / 720-CW-KRP4-YAG5

Product specification are subject to change without notice.
For complete details, please contact your local MONOCROM sales representative.

UNE EN ISO 9001:2015

MONOCROM S.L.

C/Vilanoveta 6
08800 Vilanova i la Geltrú (Barcelona)
Spain
T. +34 938 149 450
F. +34 938 143 767
E. sales@monocrom.com
www.monocrom.com

PH720 I TECH Specifications

	Minimum	Operation	Maximum
Pumping			
Pumping wavelength (@ I _{op}) [nm]	804	806	808
Pumping bandwidth [nm]		2	4
Wavelength difference between bars [nm]			1,5
Wavelength vs. temperature [nm/K]		0,27	0,28
Pumping power [W]	700	720	740
Threshold current [A]	7	10	12
Operating current [A]		58	60
Voltage before cables [V _{dc}]	19	22	24
Active Medium			
Nd:YAG doping ⁽¹⁾	0,4	0,6	1,1
Emission wavelength [nm]		1064	
Output power [W]	180	220	250
Active medium rod size ¹ (ØxL) [mm]		5x87	
Beam diameter without aperture [mm]		5	
Mechanics			
Recommended coolant		Deionized water +5% ethyleneglycol	
Coolant flow rate [L/min]		3	
Coolant input pressure [bar]		2	3
Coolant temperature ⁽²⁾ [°C]	Non-condensing	25	30
Water connections		Water flow outlet for Ø8mm tube	
Electrical connections		Thread M6	
Expected lifetime		10 ⁴ hours	
Dimensions		105 x 91,7 x 92,7	
Weight [g]		1200	
Laser class product (EN-60825)		4	

Typical value in the beginning of life performance at 25°C

- Other active media on request.
- The optimum water temperature depends on the operation current and water flow. It is recommended to measure the wavelength of the diode by using a spectrometer, so that water temperature is changed to achieve 808nm for optimum pumping.

PH / 720-CW-KRP4-YAG5

Product specification are subject to change without notice.
For complete details, please contact your local MONOCROM sales representative.

UNE EN ISO 9001:2015

MONOCROM S.L.

C/Vilanoveta 6
08800 Vilanova i la Geltrú (Barcelona)
Spain
T. +34 938 149 450
F. +34 938 143 767
E. sales@monocrom.com
www.monocrom.com

PH / 720-CW-KRP4-YAG5

Product specification are subject to change without notice.
For complete details, please contact your local MONOCROM
sales representative.

UNE EN ISO 9001:2015

MONOCROM S.L.

C/Vilanoveta 6
08800 Vilanova i la Geltrú (Barcelona)
Spain
T. +34 938 149 450
F. +34 938 143 767
E. sales@monocrom.com
www.monocrom.com