



Actively Cooled Laser Diode Package

AS-Mount λ 960-980 nm

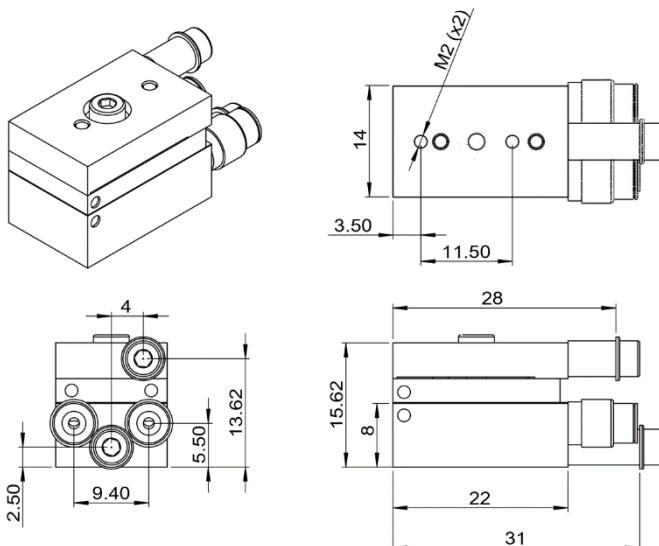
Features:

- Improved cooling efficiency
- No "smile" effect
- Bars on demand
- Central wavelength on demand

Suitable for:

- Hair removal
- Surgical cardiology
- Ophthalmology
- Interstitial laser induced thermotherapy (Cancer)
- Odontology
- Material processing
- Printing

AS-Mount λ 960-980 nm | 1 bar package



AS-MOUNT / 960-980 nm

Product specification are subject to change without notice.
For complete details, please contact your local MONOCROM sales representative.

UNE EN ISO 9001:2015

MONOCROM S.L.

C/Vilanoveta 6
08800 Vilanova i la Geltrú (Barcelona)
Spain
T. +34 938 149 450
F. +34 938 143 767
E. sales@monocrom.com
www.monocrom.com

AS-Mount λ 960-980 nm | TECH Specifications

Laser Parameters ^(1,2,3,4)	
Type	actively cooled mount
Wavelength ⁽⁵⁾ [nm]	960 - 980
Wavelength tolerance [nm]	± 20
Spectral width [nm]	4
Wavelength shift [nm/K]	0.4
Output power ^(4,6) [W]	CW - up to 150 / QCW - up to 400
Operating current [A]	CW < 160 / QCW < 380
Efficiency coefficient [W/A]	1.1
Voltage @ connectors ⁽⁷⁾ [V]	< 1.8
Optics (optional)	FAC / SAC / BT
Smile [μ m]	< 0.3

1. This is a preliminary specification sheet; validation of specification is in process.
2. If any other requirements are needed, please contact us.
3. Specifications at 20 °C, at the beginning of the lifetime.
4. Specifications are subjected to chips availability.
5. Other wavelengths on request.
6. Expected output power per laser stack. Can vary based on current and temperature.
7. Voltage from the power supply must be higher, as due to high current there will be a voltage drop in the cables.

High Brightness

The lack of a "smile" effect allows a superior beam quality. Together with a double-side macro channel coolers our diode bars achieve higher energy per pulse and excellent beam quality, thus higher brightness



AS-MOUNT / 960-980 nm

Product specification are subject to change without notice.
For complete details, please contact your local MONOCROM sales representative.

UNE EN ISO 9001:2015

MONOCROM S.L.

C/Vilanoveta 6
08800 Vilanova i la Geltrú (Barcelona)
Spain
T. +34 938 149 450
F. +34 938 143 767
E. sales@monocrom.com
www.monocrom.com