



Conduction Cooled Laser Diode Package

CS-Mount λ 780-830nm

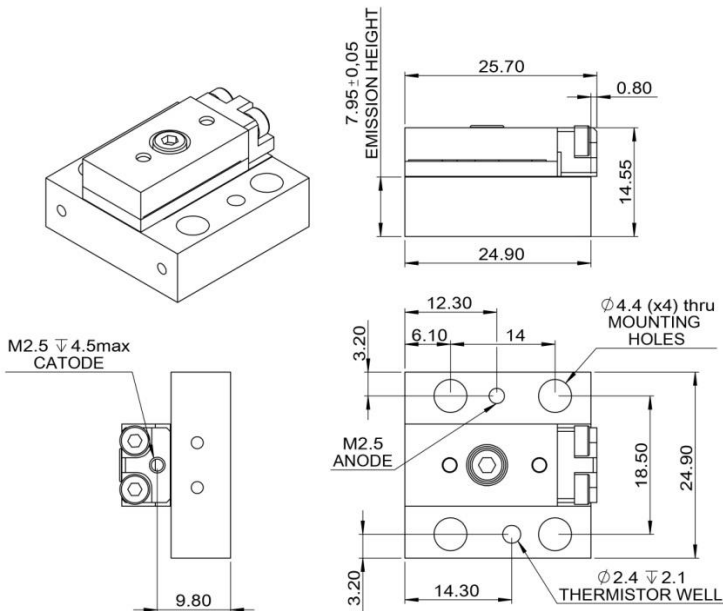
Features:

- Improved cooling efficiency
- "Smile" effect $< 0.5 \mu\text{m}$
- Central wavelength on demand

Suitable for:

- Hair removal
- Surgical cardiology
- Ophthalmology
- Interstitial laser induced thermotherapy (Cancer)
- Odontology
- Material processing
- Printing

CS-Mount λ 780-830nm | 1 bar package



CS-MOUNT / 780 - 830nm

Product specification are subject to change without notice.
For complete details, please contact your local MONOCROM sales representative.

UNE EN ISO 9001:2008

MONOCROM S.L.

C/Vilanoveta 6
08800 Vilanova i la Geltrú (Barcelona)
Spain
T. +34 938 149 450
F. +34 938 143 767
E. sales@monocrom.com
www.monocrom.com

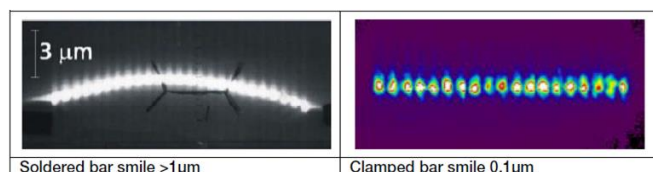
CS-Mount λ 780-830nm | TECH Specifications

Laser Parameters	
Type	conduction cooled mount
Wavelength ⁽¹⁾ [nm]	780 - 830
Wavelength tolerance [nm]	± 20
Spectral width [nm]	3
Wavelength shift [nm/K]	0.27
Output power ^(2,3) [W]	CW - up to 100 / QCW - up to 500
Operating current [A]	CW < 120 / QCW < 480
Efficiency coefficient [W/A]	1.2
Voltage @ connectors ⁽⁴⁾ [V]	2
Optics (optional)	FAC / SAC / BT
Smile [μ m]	< 0.3

1. Other wavelengths on request.
2. Expected output power. Can varies based on current and temperature.
3. Specification are subjected to chips availability.
4. Voltage from the power supply must be higher, as due to high current there will be a voltage drop in the cables.

Solder-free Diode Bar Mounting - Patented Clamping™ Technology

- Long lifetime
- High reliability
- No micro channels needed
- Small thermal resistance



CS-MOUNT / 780 - 830nm

Product specification are subject to change without notice.
For complete details, please contact your local MONOCROM sales representative.

UNE EN ISO 9001:2008

MONOCROM S.L.

C/Vilanoveta 6
08800 Vilanova i la Geltrú (Barcelona)
Spain
T. +34 938 149 450
F. +34 938 143 767
E. sales@monocrom.com
www.monocrom.com