



## Single Emitters

### C-Series

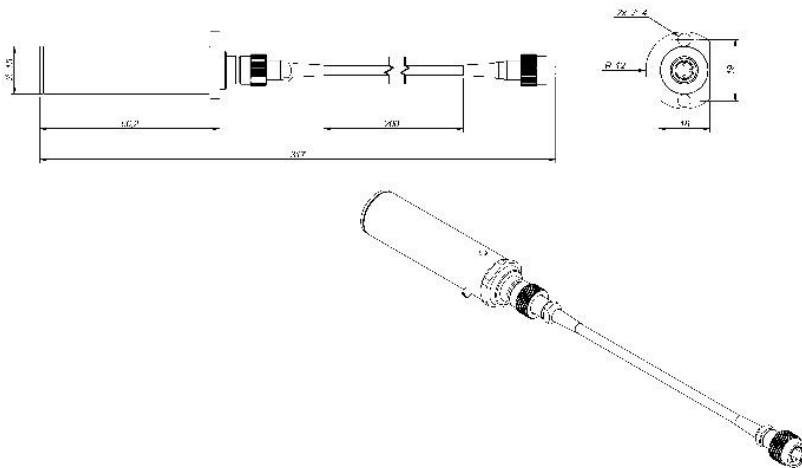
#### Features:

- Single mode fibre coupled
- Collimator ended available
- Circular beam after SM fibre
- Compact design

#### Suitable for:

- Automatics & Robotics
- Metrology
- Guidance
- Bio-medics
- Lighting & Imaging
- Fibre check

#### Outline C-Series



#### C-SERIES

Product specification are subject to change without notice.  
For complete details, please contact your local MONOCROM sales representative.

UNE EN ISO 9001:2015

#### MONOCROM S.L.

C/Vilanoveta 6  
08800 Vilanova i la Geltrú (Barcelona)  
Spain  
T. +34 938 149 450  
F. +34 938 143 767  
E. sales@monocrom.com  
www.monocrom.com

## C-Series I TECH Specifications

Parameters	Minimum	Operation	Max. rating
Wavelength [nm]	685	690	700
Po. [mW]	10	12	14
Op. current [mA]	90	100	110
Feeding voltage [Vdc]	4,5	5	5,2
Operation modes	CW adjustable 0 to max. power		
Fiber type	Single mode fibre coupled. Ø3mm cover		
Fiber length [m]	1,9	2	2,1
Polarization maintaining	No		
Storage temperature [°C]	-20	25	70
Optical aperture (NA)	0,12		
Op. temp. range [°C]	-10	25	40
Reverse voltage protection circuit	Built in		
Connections	1 +Vcc	2 GND	3 P. control
Standard 3 pin-connector or 200mm Flying leads. Feeding red/black wires and yellow for modulation or regulation.			
Input signal, Vmod, typical [V]	0,5 to 4V		
Expected lifetime [h]	>10000		
Laser product class	3B		

### C-SERIES

Product specification are subject to change without notice.  
For complete details, please contact your local MONOCROM sales representative.

### MONOCROM S.L.

C/Vilanoveta 6  
08800 Vilanova i la Geltrú (Barcelona)  
Spain  
T. +34 938 149 450  
F. +34 938 143 767  
E. sales@monocrom.com  
www.monocrom.com