



Low Power Diode Lasers

T-Series

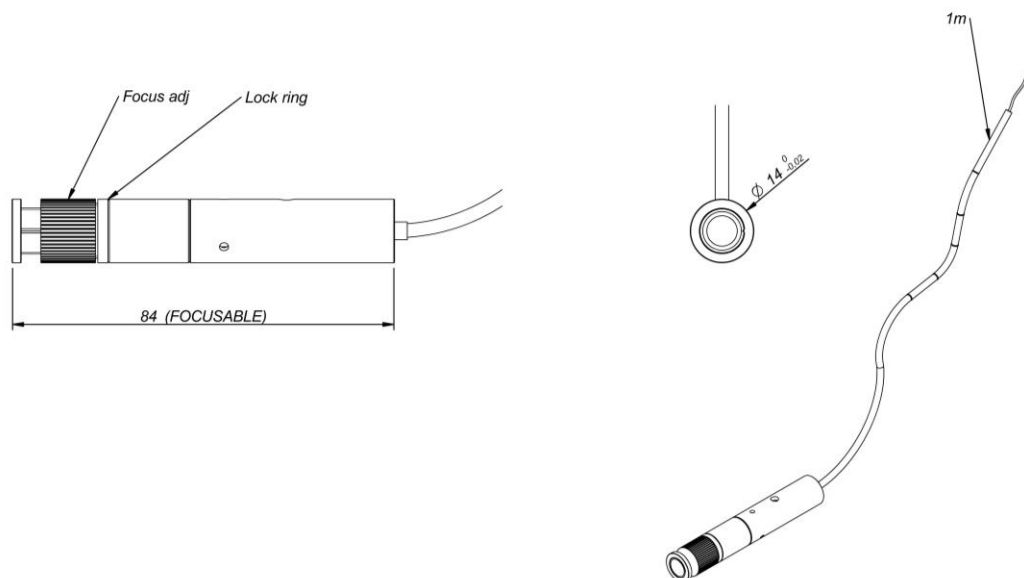
Features:

- Compact design
- Low bore-sight
- CW and modulatable
- High quality lens, and excellent beam performance
- Keeps bore sight while focusing
- Polarization marks

Suitable for:

- Automatics & robotics
- Guidance
- Bio-medics
- Lighting
- Imaging

Outline T-Series



T-SERIES

Product specification are subject to change without notice.
For complete details, please contact your local MONOCROM sales representative.

UNE EN ISO 9001:2015

MONOCROM S.L.

C/Vilanoveta 6
08800 Vilanova i la Geltrú (Barcelona)
Spain
T. +34 938 149 450
F. +34 938 143 767
E. sales@monocrom.com
www.monocrom.com

T-SERIES | TECH Specifications

Laser Source	Minimum	Operation	Max. rating
Wavelength [nm]	768	780	792
Operating power ⁽¹⁾ [mW]	0,80	0,93	0,99
Power stability ⁽²⁾ [RMS]			0,5
Operating current [mA]		21	40
Operating voltage [V _{dc}]	4,5	5,0	5,1
TTL signals [V _{dc}]	0		5
Linear modulation range [V _{dc}]	0,25		2,00
Optical parameters			
Input impedance [Ω]	555	560	565
Pulse width [μs]	1,7		
Clear aperture [mm]	6,3	6,5	6,7
Divergence [mrd]		0,18	0,3
Spot size (@30m) [mm]	8	10	12
Bore sight [mrd]			10
Housing			
Polarization direction vs. marks [°]	40	45	50
Operating temperature [°C]	non-condensing	25	50
Storage temperature [°C]	-10		85
Lifetime [hours]	10.000		
Cable length [mm]	200	230	250
Connector		2mm long tin cover at cables' tips	
Compliance		RoHs	
Reverse voltage protection circuit		Built in	
Laser product class (EN-60825)		3R	

Conditions @ 25°C while not specified. Specifications could change depending on LD used.

(1) Power at high modulation Level

(2) From a stable input signal

T-SERIES

Product specification are subject to change without notice.
For complete details, please contact your local MONOCROM
sales representative.

UNE EN ISO 9001:2015

MONOCROM S.L.

C/Vilanoveta 6
08800 Vilanova i la Geltrú (Barcelona)
Spain
T. +34 938 149 450
F. +34 938 143 767
E. sales@monocrom.com
www.monocrom.com