



## Actively Cooled Low Pitch Stack

### A-Stack $\lambda 760\text{nm}$

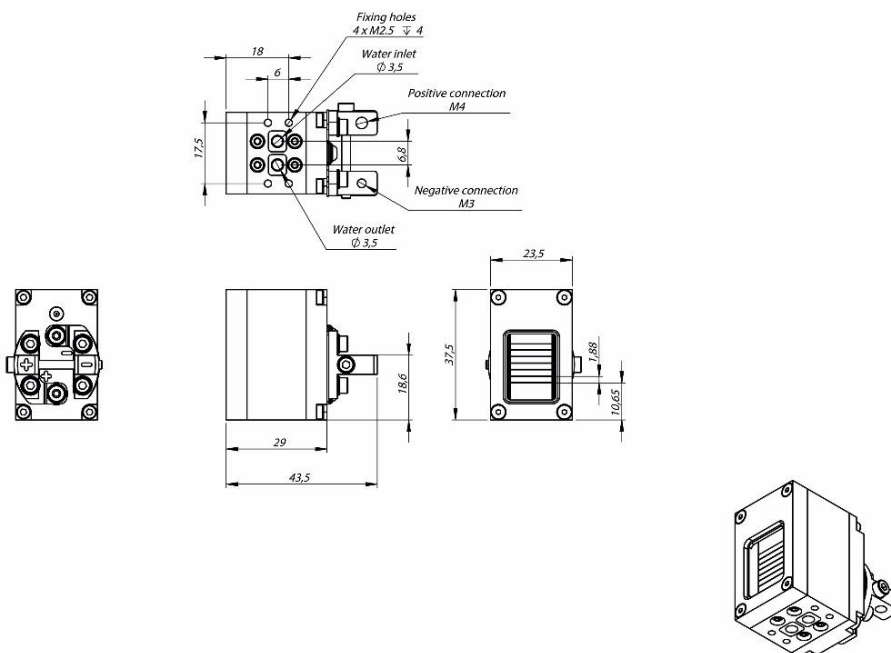
#### Features:

- Actively cooled pulsed direct beam
- Clamping™ Patented Technology (Solder free mounting of laser bars)
- Long lifetime
- High reliability
- Low thermal resistances
- Wide storage temperature - 40° C to + 85° C
- No “smile” effect

#### Suitable for:

- Medical
- Industry

### A-Stack $\lambda 760\text{nm}$ – 6 bars



#### A-Stack / 760nm

Product specification are subject to change without notice.  
For complete details, please contact your local MONOCROM sales representative.

UNE EN ISO 9001:2015

#### MONOCROM S.L.

C/Vilanoveta 6  
08800 Vilanova i la Geltrú (Barcelona)  
Spain  
T. +34 938 149 450  
F. +34 938 143 767  
E. sales@monocrom.com  
www.monocrom.com

## A-Stack $\lambda$ 760nm | TECH Specifications | QCW

Laser Parameters	A-Stack-4	A-Stack -6	A-Stack -8	A-Stack -10
wavelength [nm]		760		
wavelength tolerance [nm]	±20	±20	±20	±20
linewidth [nm]	5	5	5	5
duty cycle		50%		
output power [W] (per laser bar)	120	120	120	120
output power [W] (total)	480	720	960	1200
threshold current [A]	<15	<15	<15	<15
operating current [A]	<125	<125	<125	<125
voltage at connector [V]	8	12	16	20
number of laser bars	4	6	8	10
pitch (bar to bar) [mm]		1,88		
collant flow [l/min]	1,8	1,8	2,3	2,7
collant pressure [bar]		3		
coolant	90% distilled water + 10% ethylene glycol			
electrical connections	threaded holes - M4 (cathode) / M3 (anode)			
water connections	ø 3.5 mm			
weight [g]	< 80	<100	<110	<120
package dimensions (HxWxL) [mm]	33.5 x 23.5 x 28.0	34.0 x 23.5 x 28.0	37.5 x 23.5 x 28.0	41.5 x 25.0 x 28.0
laser class product (EN-60825)		4		
expected life time		>10E8		

A-Stack / 760nm

Product specification are subject to change without notice.  
For complete details, please contact your local MONOCROM sales representative.

UNE EN ISO 9001:2015

**MONOCROM S.L.**

C/Vilanoveta 6  
08800 Vilanova i la Geltrú (Barcelona)  
Spain  
T. +34 938 149 450  
F. +34 938 143 767  
E. sales@monocrom.com  
www.monocrom.com

2