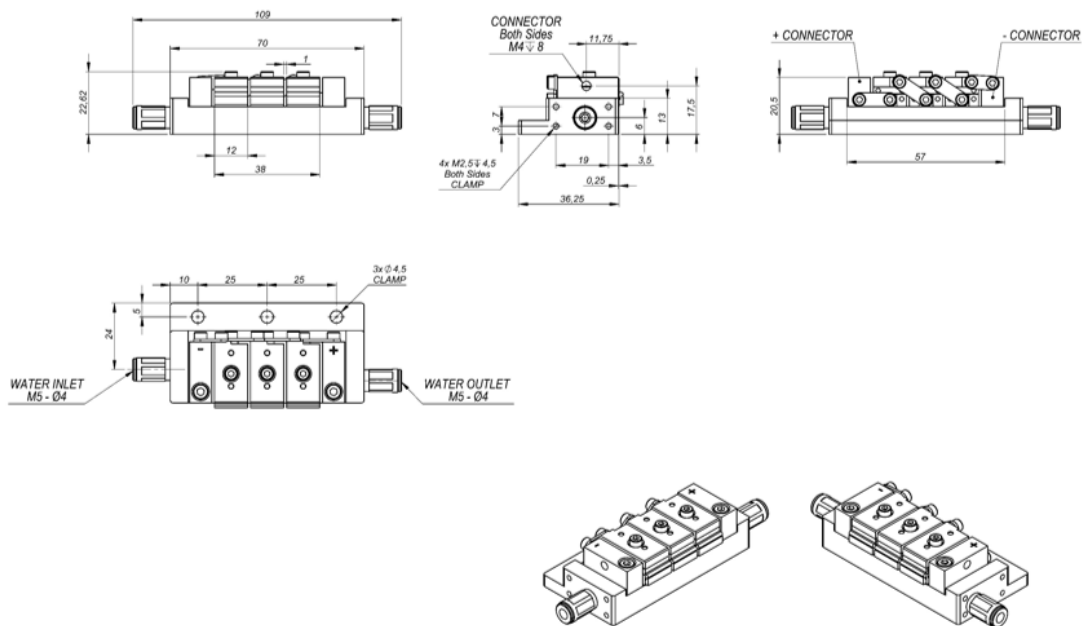


Actively Cooled Linear Diode Laser Array (LB03)

Suitable for:

- Optical pumping
- Illumination
- Imaging

Linear Diode Laser Array - LB03 | 3 laser bars package



Linear Diode Laser Array- LB03

Product specification are subject to change without notice.
For complete details, please contact your local MONOCROM sales representative.

UNE EN ISO 9001:2015

MONOCROM S.L.

C/Vilanoveta 6
08800 Vilanova i la Geltrú (Barcelona)
Spain
T. +34 938 149 450
F. +34 938 143 767
E. sales@monocrom.com
www.monocrom.com

Linear Diode Laser Array - LB03 | TECH SPECIFICATIONS

Laser Parameters	
Wavelength ⁽¹⁾ [nm]	640-2200
Spectral width (FWHM) [nm]	~ 5
Stack peak power ⁽²⁾ [W]	CW 250 per laser bar / QCW 500 per laser bar
Operating current [A]	CW <180 / QCW <450
Voltage @ connectors ⁽³⁾ [V]	~ 2 per laser bar
Pitch between centers [mm]	12.5-13.5
Bar smile (PV) [μm]	<0.3
Coolant flow [l/min]	1.5-2.0
Coolant pressure [bar]	2.5-3.5
Coolant temperature ⁽⁴⁾ [°C]	Non-condensing-25
Coolant	90% deionized water + 10% ethyleneglycol
Weight [g]	TBC
Package dimensions (HxWxL) [mm]	See outline
Electrical connections	2x M4 threads
Water connections	2x Ø 4mm fittings
Laser class (EN-60825)	4
Expected lifetime	>20000h

Specifications at 20°C, in the beginning of lifetime.

1. Maximum ratings are NOT all achievable at a time
2. Number of Laser bars = 3
3. Voltage from the power supply must be higher, as due to high current there will be a voltage drop in the cables.
4. The coolant temperature must be adjusted to get the right central wavelength according to the data supplied with each unit

Linear Diode Laser Array- LB03

Product specification are subject to change without notice.
For complete details, please contact your local MONOCROM sales representative.

UNE EN ISO 9001:2015

MONOCROM S.L.

C/Vilanoveta 6
08800 Vilanova i la Geltrú (Barcelona)
Spain
T. +34 938 149 450
F. +34 938 143 767
E. sales@monocrom.com
www.monocrom.com