

Passively Cooled Laser Module

Monocrom @ARDEF 55

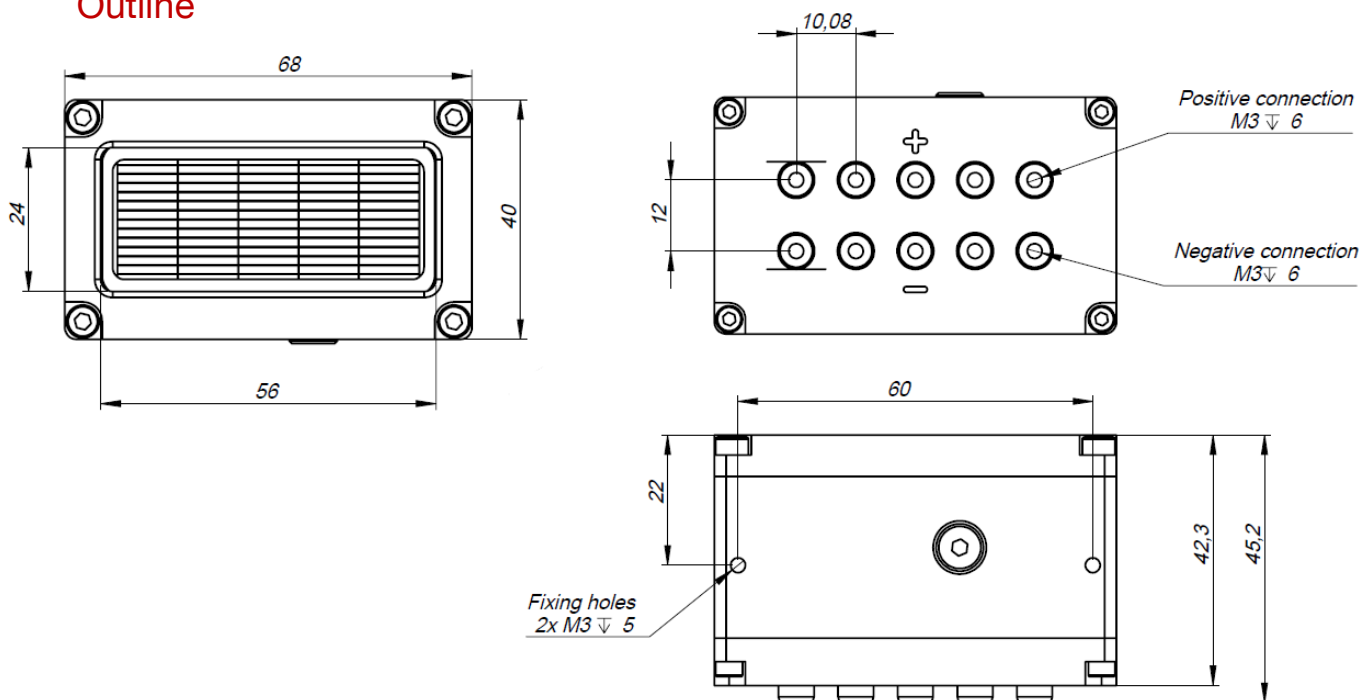
Features:

- Actively cooled pulsed direct beam
- Clamping™ Patented Technology (Solder free mounting of laser bars)
- Long lifetime
- High reliability
- Low thermal resistances
- Wide storage temperature - 40° C to + 85° C
- No “smile” effect

Suitable for:

- Medical
- Industry
- Aerospace & Defense

Outline



2ENCASTM90-008

Product specification are subject to change without notice.
For complete details, please contact your local MONOCROM sales representative.

UNE EN ISO 9001:2015

MONOCROM S.L.

C/Vilanoveta 6
08800 Vilanova i la Geltrú (Barcelona)
Spain
T. +34 938 149 450
F. +34 938 143 767
E. sales@monocrom.com
www.monocrom.com

Laser^(1,2)	
Type	Passively cooled stack
Wavelength ⁽³⁾ [nm]	808
Wavelength tolerance [nm]	± 15
Output power per laser bar [W]	200
Operating current ⁽⁴⁾ [A]	up to 180
Voltage @ connectors ^(5,11) [V]	~ 100
Numbers of laser bars	55
Pitch (bar 2 bar) [mm]	1.4
Divergence FA ⁽¹²⁾	<60
Divergence SA ⁽¹²⁾	<12
Module⁽⁶⁾	
Output power ⁽⁹⁾ [W]	Up to 11000
Duty cycle ⁽¹⁰⁾	Up to 5%
Electrical connections	threads M3
Weight ⁽⁷⁾ [g]	< 500
Laser class product (EN-60825)	4
Package dimensions (HxWxL) [mm]	68 x 40 x 45.2
Expected life-time ⁽⁸⁾	10 ⁴ pulses

1. Specifications at 20 °C, at the beginning of the lifetime.
2. If any other requirements are needed, please contact us.
3. Combination is also available.
4. Normal max current is 180 A.
5. Voltage from the power supply must be higher, as due to high current there will be a voltage drop in the cables.
6. Optics and cooling adaptation are available.
7. With no optics.
8. Reduced lifetime if use in conflict to the nominal operational conditions.
9. With respect to the DC.
10. Limiting the current might be required.
11. Different connection schemes will reduce the voltage down to 20V.
12. FWHM

2ENCASTM90-008

Product specification are subject to change without notice.
For complete details, please contact your local MONOCROM sales representative.

UNE EN ISO 9001:2015

MONOCROM S.L.

C/Vilanoveta 6
08800 Vilanova i la Geltrú (Barcelona)
Spain
T. +34 938 149 450
F. +34 938 143 767
E. sales@monocrom.com
www.monocrom.com