



## Direct Diode

### Monocrom @MET Direct Diode

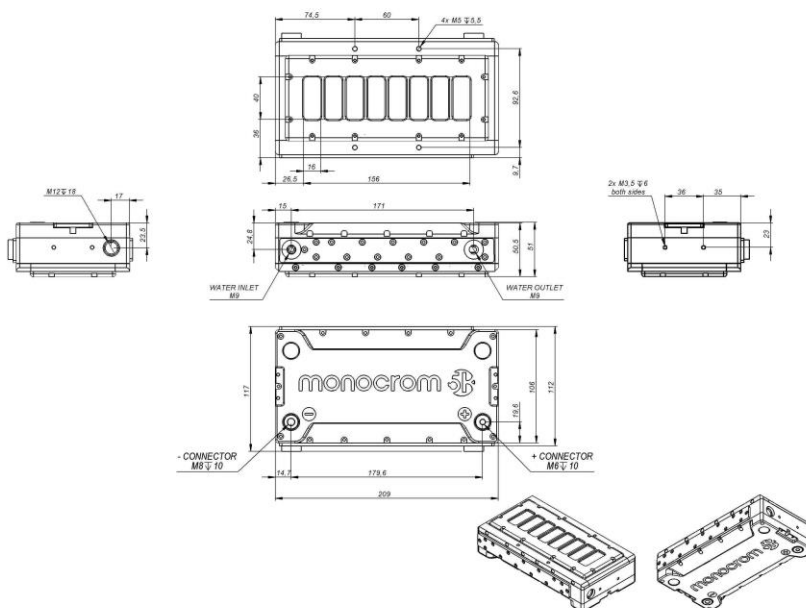
#### Features:

- Clamping™ Patented Technology (Solder free mounting of laser bars)
- Long lifetime
- High reliability
- Low thermal resistances
- Wide storage temperature - 40° C to + 85° C
- No SMILE effect

#### Suitable for:

- Heat assisted roll-forming
- Metal hardening
- Metal softening

### Monocrom @MET Direct Diode



#### Monocrom @MET Direct Diode

Product specification are subject to change without notice.  
For complete details, please contact your local MONOCROM sales representative.

UNE EN ISO 9001:2015

#### MONOCROM S.L.

C/Vilanoveta 6  
08800 Vilanova i la Geltrú (Barcelona)  
Spain  
T. +34 938 149 450  
F. +34 938 143 767  
E. sales@monocrom.com  
www.monocrom.com

## Monocrom @MET Direct Diode I TECH Specifications

	Minimum	Operation	Max. rating
<b>Laser</b>			
Wavelength [nm]	970	980	990
Stack peak power, Pmax [W]	2800	3200	3520
Operating current, Iop [A]		110	125
Threshold current, Ith [A]	15	18	25
Voltage @ connectors(1), V [Vdc]	54,4	57,6	64,0
Pulse length [ms]			CW
<b>Optics</b>			
Working distance [mm]	125,0	129,5	135,0
Depth of focus [mm]		1	2
Line width (1/e2) [μm]	240	280	320
Line length (90% top plate) [mm]	120	130	140
Optical efficiency [%]	85	90	94
Irradiance in target area [kW/cm2]	4	8	13
<b>Body</b>			
Coolant flow	12	15	20
Coolant pressure (inlet) [bar]		5	8
Coolant temperature [°C]	15	20	25
Coolant	90% Distilled water + 10% ethyleneglycol		
Package Dimensions(2) (wxhxl) [mm]	209x112x70		
Weight [g]	2500		
Electrical connections	Threads M6		
Water connections	Water fittings for Ø8mm tube		
Laser class product (EN-60825)	4		
Expected lifetime	10.000h		

Specifications at 20°C, in the beginning of lifetime.

1. Voltage from the power supply must be higher, as due to high current there will be a voltage drop in the cables.
2. Parameters can vary depending on final optomechanical setup.

Monocrom @MET Direct Diode

Product specification are subject to change without notice.  
For complete details, please contact your local MONOCROM sales representative.

UNE EN ISO 9001:2015

**MONOCROM S.L.**

C/Vilanoveta 6  
08800 Vilanova i la Geltrú (Barcelona)  
Spain  
T. +34 938 149 450  
F. +34 938 143 767  
E. sales@monocrom.com  
www.monocrom.com