



MET S9

Direct Diode Laser Module

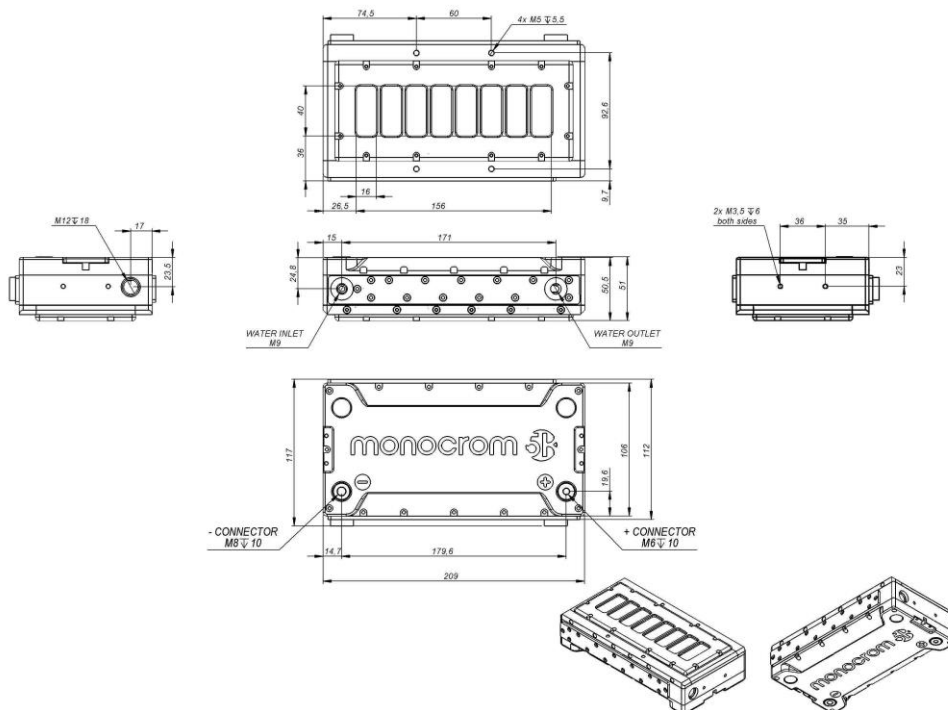
Features:

- Clamping™ Patented Technology (Solder free mounting of laser bars)
- Long lifetime
- High reliability
- Low thermal resistances
- Wide storage temperature - 40° C to + 85° C
- No SMILE effect

Suitable for:

- Heat-assisted material processing
- Roll forming
- Spin forming

MET S9



MET S9

Product specification are subject to change without notice.
For complete details, please contact your local MONOCROM sales representative.

UNE EN ISO 9001:2015

MONOCROM S.L.

C/Vilanoveta 6
08800 Vilanova i la Geltrú (Barcelona)
Spain
T. +34 938 149 450
F. +34 938 143 767
E. sales@monocrom.com
www.monocrom.com

MET S9 | TECH Specifications

Laser	
Wavelength [nm]	980
Power [W]	5600
Operating current [A]	110
Threshold current [A]	18
Voltage @ connectors ⁽¹⁾ [V]	96
Pulse length [ms]	CW
Optics	
Working distance [mm]	130
Depth of focus [mm]	1
Line width (1/e ²) [μm]	280
Line length (90% top plate) [mm]	160
Optical efficiency [%]	90
Irradiance in target area [kW/cm ²]	8
Body	
Coolant flow [l/min]	15
Coolant pressure (inlet) [bar]	5
Coolant temperature [°C]	20
Coolant	90% DI water + 10% ethyleneglycol
Operation temperature [°C]	non-condensing to 50
Package dimensions ⁽²⁾ (w×h×l) [mm]	209 × 112 × 70
Weight [g]	2500
Electrical connections	threads M6 (+) / M8 (-)
Water connections	water fittings for Ø8mm tube
Laser class product (EN-60825)	4
Expected lifetime [h]	10,000

Specifications at 20°C, in the beginning of lifetime.

1. Voltage from the power supply must be higher, as due to high current there will be a voltage drop in the cables.
2. Parameters can vary depending on final optomechanical setup.

MET S9

Product specification are subject to change without notice.
For complete details, please contact your local MONOCROM sales representative.

UNE EN ISO 9001:2015

MONOCROM S.L.

C/Vilanoveta 6
08800 Vilanova i la Geltrú (Barcelona)
Spain
T. +34 938 149 450
F. +34 938 143 767
E. sales@monocrom.com
www.monocrom.com