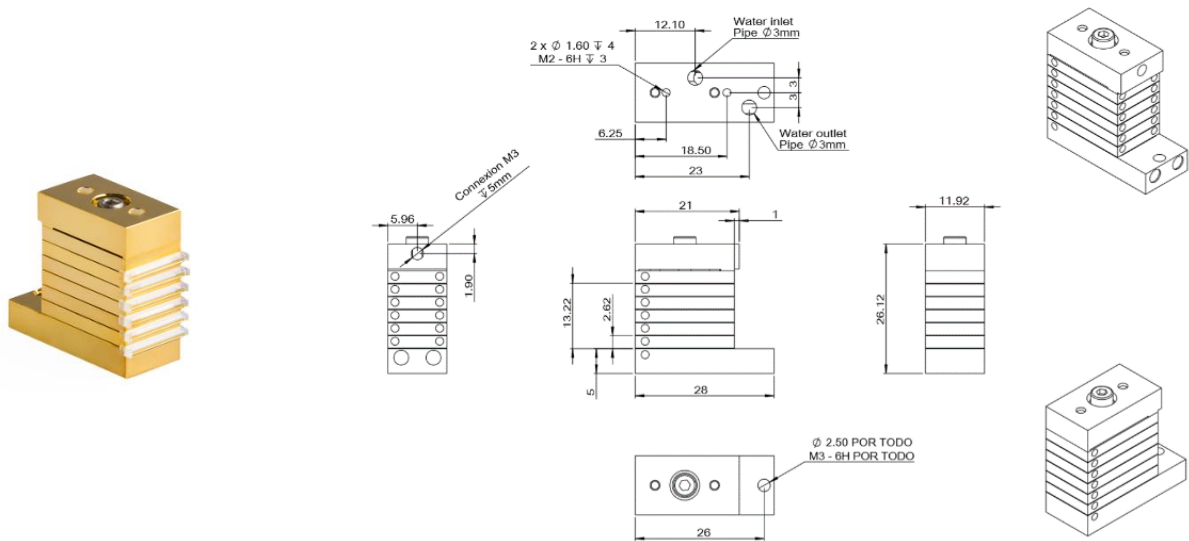


# Actively Cooled Laser Bar Stack

A-Stack  $\lambda$ 1040-1080 nm



## Features:

Improved cooling efficiency  
 No “smile” effect  
 Number of bars on demand  
 Central wavelength on demand  
 Real macro-channels cooling

## Suitable for:

Interstitial laser induced thermotherapy  
 Odontology  
 Aesthetics

Material processing  
 Defense

Technical specifications <sup>(1,2)</sup>	
Wavelength <sup>(3)</sup> [nm]	1040 - 1080
Wavelength tolerance [nm]	±5
Spectral width, FWHM [nm]	< 5
Wavelength shift [nm/K]	0.27
Output power per laser bar <sup>(2,4)</sup> [W]	CW - up to 100 / QCW - up to 350
Operating current [A]	CW < 120 / QCW < 400
Differential slope, after threshold [W/A]	1.2
Voltage @ connectors <sup>(5)</sup> [V]	2 - 20
Bar to bar pitch [mm]	down to 2.5
Optics (optional)	FAC / SAC / BT
Bars per stack <sup>(6)</sup>	1 - 10
Smile [µm]	< 0.1

- Specifications at 20 °C, at the beginning of the lifetime
- Specifications are subject to chips availability
- Other wavelengths on request
- Expected output power per laser bar can varies based on current and temperature
- Voltage from the power supply must be higher, as due to high current there will be a voltage drop in the cables
- Pitch dependent.

A-STACK / 1040 - 1080 nm  
 Version: 1.0.0.0 October 2021  
 Product specification are subject to change without notice.  
 For complete details, please contact your local MONOCROM sales representative.

MONOCROM S.L.  
 C/Vilanoveta 6  
 08800 Vilanova i la Geltrú  
 Spain

T. +34 938 149 450  
 E. sales@monocrom.com  
[www.monocrom.com](http://www.monocrom.com)

UNE EN ISO 9001:2015