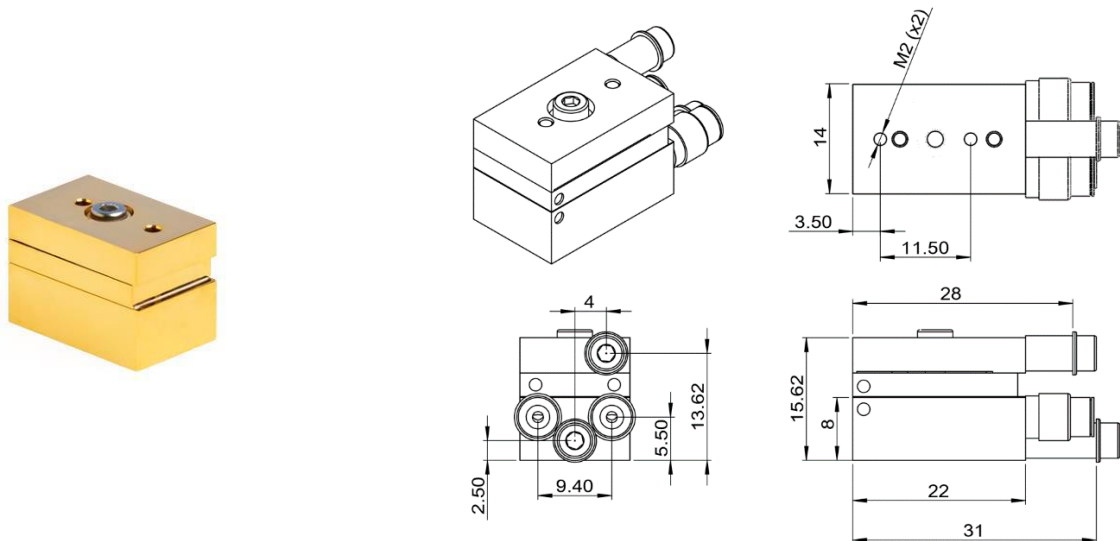


Actively Cooled Laser Bar Mount

AS-Mount λ 1460-1480 nm



Features:

- Improved cooling efficiency
- No “smile” effect
- Number of bars on demand
- Central wavelength on demand
- Real macro-channels cooling

Suitable for:

- Interstitial laser induced thermotherapy
- Aesthetics
- Surgery
- Material processing

Technical specifications ^(1,2)	
Wavelength ⁽³⁾ [nm]	1460 - 1480
Wavelength tolerance [nm]	±5
Spectral width, FWHM [nm]	< 15
Wavelength shift [nm/K]	0.55
Output power ^(2,4) [W]	25
Operating current [A]	< 90
Differential slope, after threshold [W/A]	0.4
Voltage @ connectors ⁽⁵⁾ [V]	1
Optics (optional)	FAC / SAC / BT
Smile [μm]	< 0.1

1. Specifications at 20 °C, at the beginning of the lifetime
2. Specifications are subject to chips availability
3. Other wavelengths on request
4. Expected output power per laser bar can varies based on current and temperature
5. Voltage from the power supply must be higher, as due to high current there will be a voltage drop in the cables

AS-MOUNT / 1460-1480 nm
 Version: 1.0.0.0 October 2021
 Product specification are subject to change without notice.
 For complete details, please contact your local MONOCROM sales representative.

MONOCROM S.L.
 C/Vilanoveta 6
 08800 Vilanova i la Geltrú
 Spain

T. +34 938 149 450
 E. sales@monocrom.com
www.monocrom.com

UNE EN ISO 9001:2015