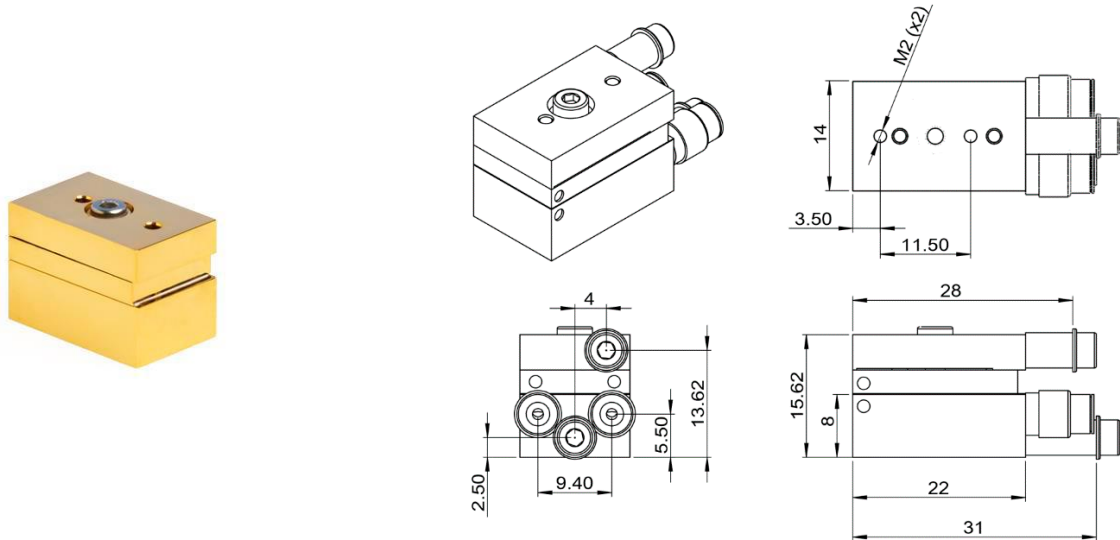


Actively Cooled Laser Bar Mount

AS-Mount λ 750-770 nm



Features:

Improved cooling efficiency
 No “smile” effect
 Number of bars on demand
 Central wavelength on demand
 Real macro-channels cooling

Suitable for:

Surgical cardiology
 Ophthalmology
 Odontology
 Hair removal
 Interstitial laser induced thermotherapy
 Material processing
 Printing

| Technical specifications ^(1,2) | |
|---|---------------------------------|
| Wavelength ⁽³⁾ [nm] | 750 - 770 |
| Wavelength tolerance [nm] | ±20 |
| Spectral width, FWHM [nm] | < 5 |
| Wavelength shift [nm/K] | 0.33 |
| Output power ^(2,4) [W] | CW - up to 40 / QCW - up to 200 |
| Operating current [A] | CW < 45 / QCW < 210 |
| Differential slope, after threshold [W/A] | 1.25 |
| Voltage @ connectors ⁽⁵⁾ [V] | 2 |
| Optics (optional) | FAC / SAC / BT |
| Smile [μm] | < 0.1 |

1. Specifications at 20 °C, at the beginning of the lifetime
2. Specifications are subject to chips availability
3. Other wavelengths on request
4. Expected output power per laser bar can varies based on current and temperature
5. Voltage from the power supply must be higher, as due to high current there will be a voltage drop in the cables