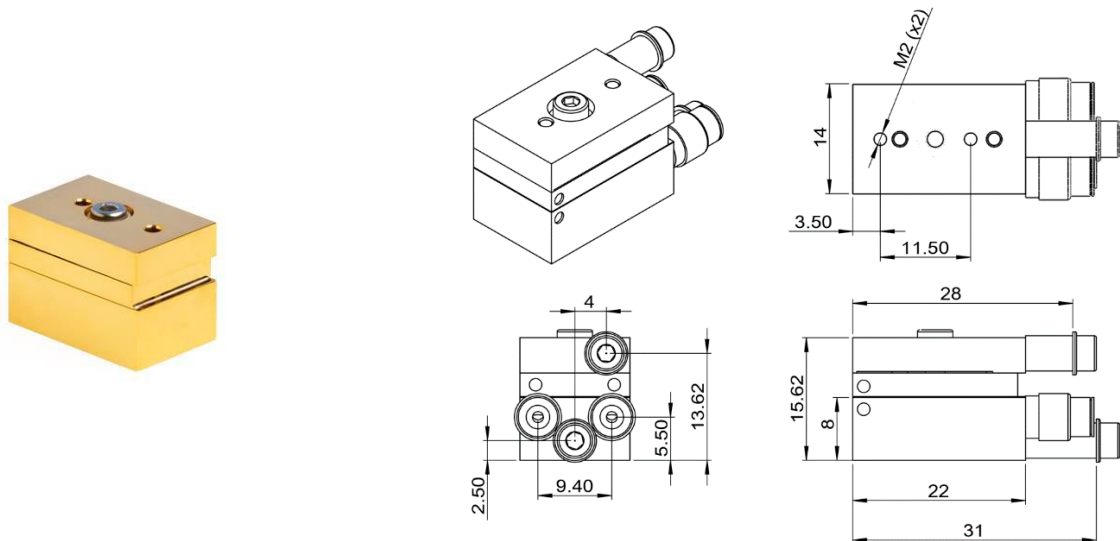


# Actively Cooled Laser Bar Mount

AS-Mount  $\lambda$ 910-920 nm



**Features:**

- Improved cooling efficiency
- No “smile” effect
- Number of bars on demand
- Central wavelength on demand
- Real macro-channels cooling

**Suitable for:**

- Hair removal
- Odontology
- Material processing
- Defense

| Technical specifications <sup>(1,2)</sup> |                |
|---|----------------|
| Wavelength <sup>(3)</sup> [nm]            | 910 - 920      |
| Wavelength tolerance [nm]                 | ±5             |
| Spectral width, FWHM [nm]                 | < 5            |
| Wavelength shift [nm/K]                   | 0.27           |
| Output power <sup>(2,4)</sup> [W]         | 200            |
| Operating current [A]                     | < 220          |
| Differential slope, after threshold [W/A] | 1.1            |
| Voltage @ connectors <sup>(5)</sup> [V]   | 1.96           |
| Optics (optional)                         | FAC / SAC / BT |
| Smile [μm]                                | < 0.1          |

1. Specifications at 20 °C, at the beginning of the lifetime
2. Specifications are subject to chips availability
3. Other wavelengths on request
4. Expected output power per laser bar can varies based on current and temperature
5. Voltage from the power supply must be higher, as due to high current there will be a voltage drop in the cables

AS-MOUNT / 910- 920 nm  
 Version: 1.0.0.0 October 2021  
 Product specification are subject to change without notice.  
 For complete details, please contact your local MONOCROM sales representative.

MONOCROM S.L.  
 C/Vilanoveta 6  
 08800 Vilanova i la Geltrú  
 Spain

T. +34 938 149 450  
 E. sales@monocrom.com  
[www.monocrom.com](http://www.monocrom.com)

UNE EN ISO 9001:2015