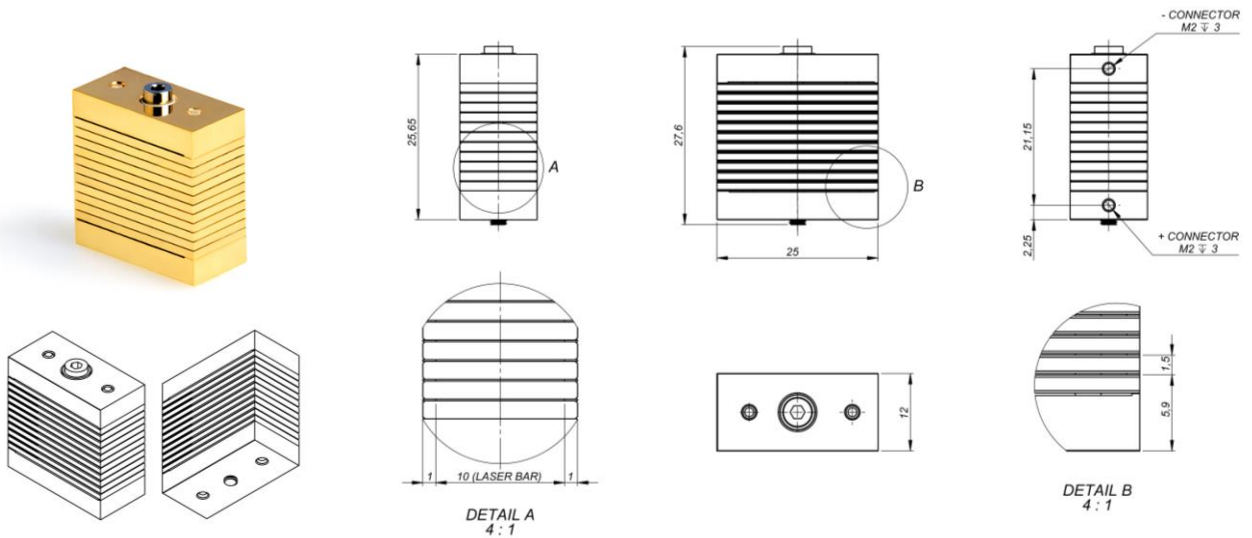


# Conduction Cooled Laser Bar Stack C-Stack $\lambda$ 750-770 nm



## Features:

Improved cooling efficiency  
 No “smile” effect  
 No mechanical stress  
 Number of bars on demand  
 Central wavelength on demand

## Suitable for:

Interstitial laser induced thermotherapy  
 Ophthalmology  
 Odontology  
 Surgical cardiology

Hair removal  
 Material processing  
 Printing

Technical specifications <sup>(1,2)</sup>	
Wavelength <sup>(3)</sup> [nm]	750 - 770
Wavelength tolerance [nm]	±20
Spectral width, FWHM [nm]	< 5
Wavelength shift [nm/K]	0.33
Output power, QCW <sup>(2,4)</sup> [W]	up to 200 / laser bar
Operating current [A]	< 210
Differential slope, after threshold [W/A]	1.25
Voltage @ connectors <sup>(5)</sup> [V]	2 - 36
Bar to bar pitch [mm]	down to 1.4
Optics (optional)	FAC / SAC / BT
Bars per stack <sup>(6)</sup>	1 - 16
Smile [µm]	< 0.1

1. Specifications at 20 °C, at the beginning of the lifetime
2. Specifications are subject to chips availability
3. Other wavelengths on request
4. Expected output power can varies based on current and temperature
5. Voltage from the power supply must be higher, as due to high current there will be a voltage drop in the cables
6. Pitch dependent