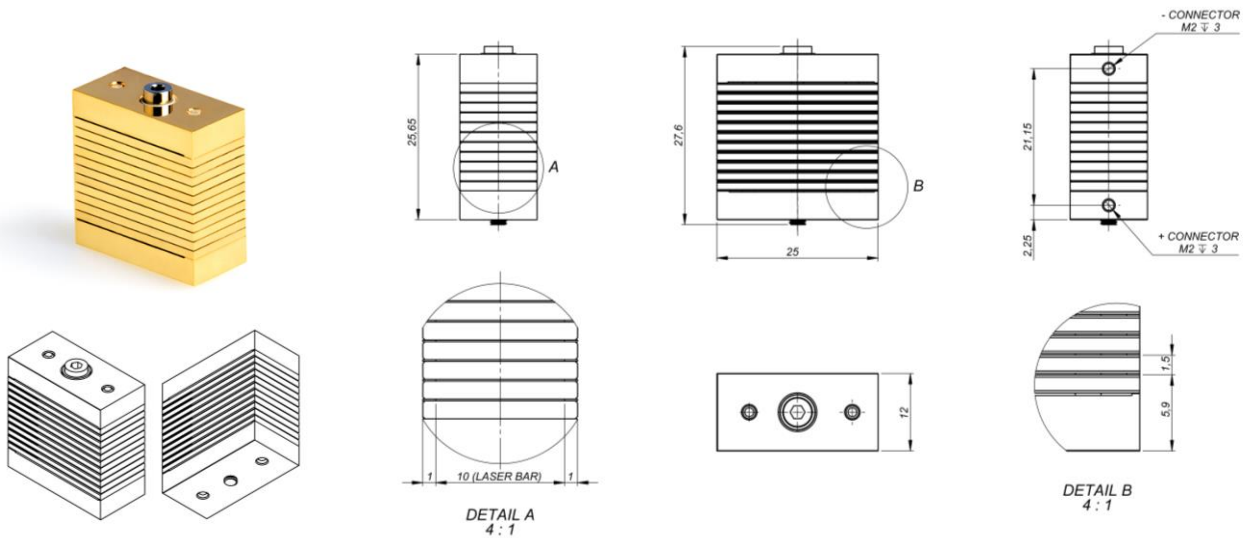


Conduction Cooled Laser Bar Stack C-Stack λ 780-830 nm



Features:

Improved cooling efficiency
 No “smile” effect
 No mechanical stress
 Number of bars on demand
 Central wavelength on demand

Suitable for:

Interstitial laser induced thermotherapy
 Ophthalmology
 Odontology
 Surgical cardiology

Hair removal
 Material processing
 Printing

Technical specifications ^(1,2)	
Wavelength ⁽³⁾ [nm]	780 - 830
Wavelength tolerance [nm]	±5
Spectral width, FWHM [nm]	< 5
Wavelength shift [nm/K]	0.33
Output power, QCW ^(2,4) [W]	up to 500 / laser bar
Operating current [A]	< 480
Differential slope, after threshold [W/A]	1.2
Voltage @ connectors ⁽⁵⁾ [V]	2 - 33
Bar to bar pitch [mm]	down to 1.4
Optics (optional)	FAC / SAC / BT
Bars per stack ⁽⁶⁾	1 - 16
Smile [μm]	< 0.1

1. Specifications at 20 °C, at the beginning of the lifetime
2. Specifications are subject to chips availability
3. Other wavelengths on request
4. Expected output power can varies based on current and temperature
5. Voltage from the power supply must be higher, as due to high current there will be a voltage drop in the cables
6. Pitch dependent