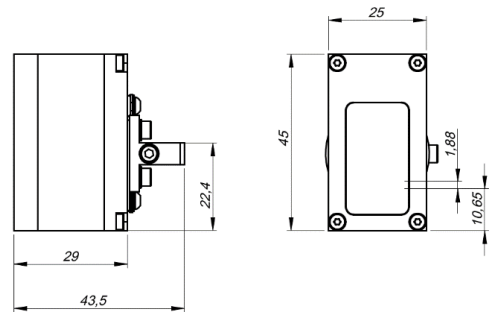
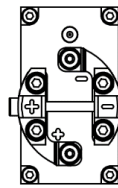
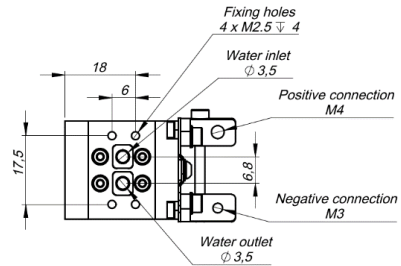


Actively Cooled Laser Bar Stack

A-Stack-1.8 λ 750-770 nm



Features:

Improved cooling efficiency
No “smile” effect
Number of bars on demand
Central wavelength on demand
Real macro-channels cooling

Suitable for:

Surgical cardiology
Ophthalmology
Odontology
Hair removal

Interstitial laser induced thermotherapy
Material processing
Printing

Technical specifications ^(1,2)	
Wavelength ⁽³⁾ [nm]	750 - 770
Wavelength tolerance [nm]	± 20
Spectral width, FWHM [nm]	< 5
Wavelength shift [nm/K]	0.33
Output power per laser bar ^(2,4) [W]	CW - up to 40 / QCW - up to 200
Operating current [A]	CW < 45 / QCW < 210
Differential slope, after threshold [W/A]	1.25
Voltage @ connectors ⁽⁵⁾ [V]	8 - 20
Bar to bar pitch [mm]	1.88
Optics (optional)	FAC / SAC / BT
Bars per stack ⁽⁶⁾	4 - 10
Smile [μ m]	< 0.1

- Specifications at 20 °C, at the beginning of the lifetime
- Specifications are subject to chips availability
- Other wavelengths on request
- Expected output power per laser bar can varies based on current and temperature
- Voltage from the power supply must be higher, as due to high current there will be a voltage drop in the cables
- Pitch dependent.

A-STACK-1.8 / 750- 770 nm
Version: 1.0.0.0 October 2021
Product specification are subject to change without notice.
For complete details, please contact your local MONOCROM sales representative.

MONOCROM S.L.
C/Vilanoveta 6
08800 Vilanova i la Geltrú
Spain

T. +34 938 149 450
E. sales@monocrom.com
www.monocrom.com

UNE EN ISO 9001:2015