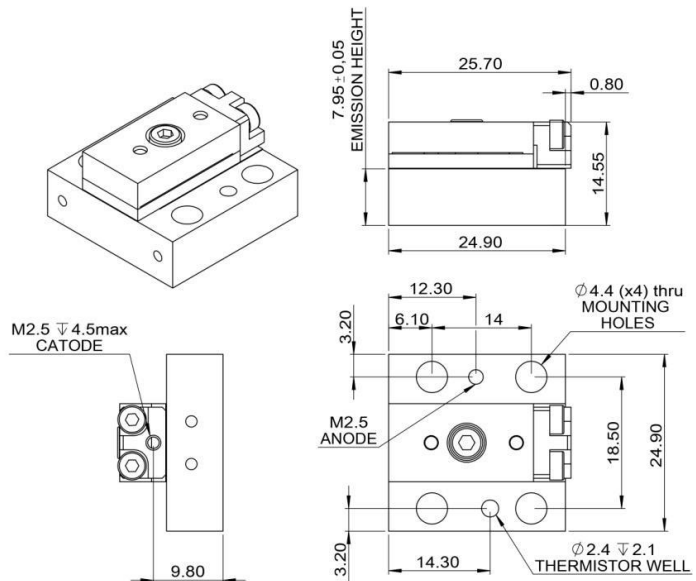


# Conduction Cooled Laser Bar Mount CS-Mount $\lambda$ 1460-1480 nm



## Features:

Solder-free laser bar mounting  
Improved cooling efficiency  
No “smile” effect  
No mechanical stress  
Central wavelength on demand

## Suitable for:

Interstitial laser induced thermotherapy  
Aesthetics  
Surgery  
Material processing

Technical specifications <sup>(1,2)</sup>	
Wavelength <sup>(3)</sup> [nm]	1460 - 1480
Wavelength tolerance [nm]	±5
Spectral width, FWHM [nm]	< 15
Wavelength shift [nm/K]	0.55
Output power <sup>(2,4)</sup> [W]	25
Operating current [A]	< 90
Differential slope, after threshold [W/A]	0.4
Voltage @ connectors <sup>(5)</sup> [V]	1
Optics (optional)	FAC / SAC / BT
Smile [μm]	< 0.1

- Specifications at 20 °C, at the beginning of the lifetime
- Specifications are subject to chips availability
- Other wavelengths on request
- Expected output power per laser bar can varies based on current and temperature
- Voltage from the power supply must be higher, as due to high current there will be a voltage drop in the cables