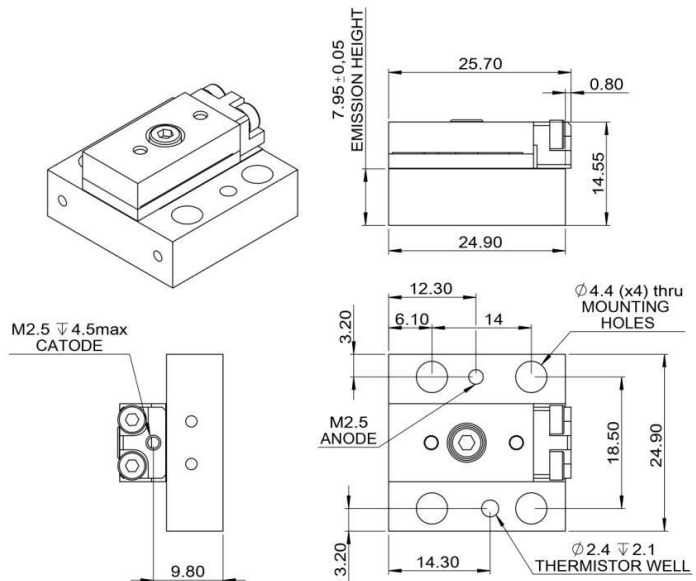


Conduction Cooled Laser Bar Mount CS-Mount λ 1920-1960 nm



Features:

- Solder-free laser bar mounting
- Improved cooling efficiency
- No “smile” effect
- No mechanical stress
- Central wavelength on demand

Suitable for:

- Interstitial laser induced thermotherapy
- Aesthetics
- Surgery
- Material processing
- Ho pumping

Technical specifications ^(1,2)	
Wavelength ⁽³⁾ [nm]	1920 - 1960
Wavelength tolerance [nm]	±20
Spectral width, FWHM [nm]	< 15
Wavelength shift [nm/K]	1.3
Output power ^(2,4) [W]	15
Operating current [A]	< 80
Differential slope, after threshold [W/A]	0.2 – 0.3
Voltage @ connectors ⁽⁵⁾ [V]	4.5
Optics (optional)	FAC / SAC / BT
Smile [μm]	< 0.1

1. Specifications at 20 °C, at the beginning of the lifetime
2. Specifications are subject to chips availability
3. Other wavelengths on request
4. Expected output power per laser bar can varies based on current and temperature
5. Voltage from the power supply must be higher, as due to high current there will be a voltage drop in the cables