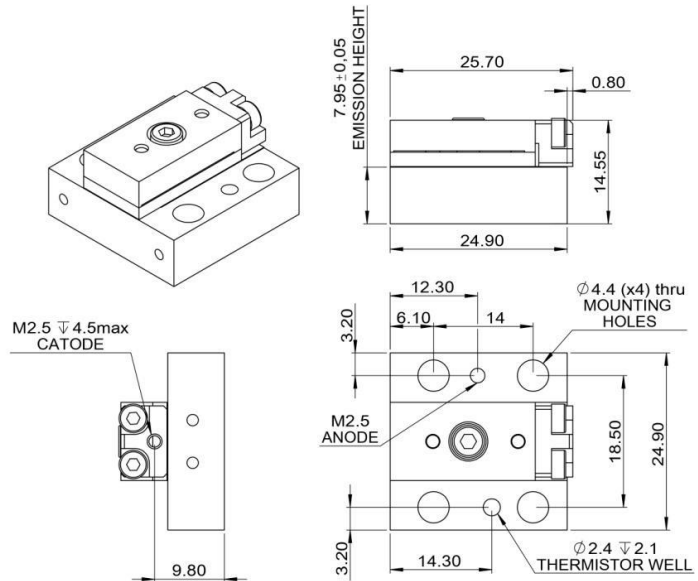


# Conduction Cooled Laser Bar Mount CS-Mount $\lambda$ 750-770 nm



## Features:

Solder-free laser bar mounting  
Improved cooling efficiency  
No “smile” effect  
No mechanical stress  
Central wavelength on demand

## Suitable for:

Interstitial laser induced thermotherapy  
Ophthalmology  
Odontology  
Surgical cardiology

Hair removal  
Material processing  
Printing

Technical specifications <sup>(1,2)</sup>	
Wavelength <sup>(3)</sup> [nm]	750 - 770
Wavelength tolerance [nm]	±20
Spectral width, FWHM [nm]	< 5
Wavelength shift [nm/K]	0.33
Output power <sup>(2,4)</sup> [W]	CW - up to 40 / QCW – up to 200
Operating current [A]	CW < 45 / QCW < 210
Differential slope, after threshold [W/A]	1.25
Voltage @ connectors <sup>(5)</sup> [V]	2
Optics (optional)	FAC / SAC / BT
Smile [µm]	< 0.1

- Specifications at 20 °C, at the beginning of the lifetime
- Specifications are subject to chips availability
- Other wavelengths on request
- Expected output power per laser bar can varies based on current and temperature
- Voltage from the power supply must be higher, as due to high current there will be a voltage drop in the cables