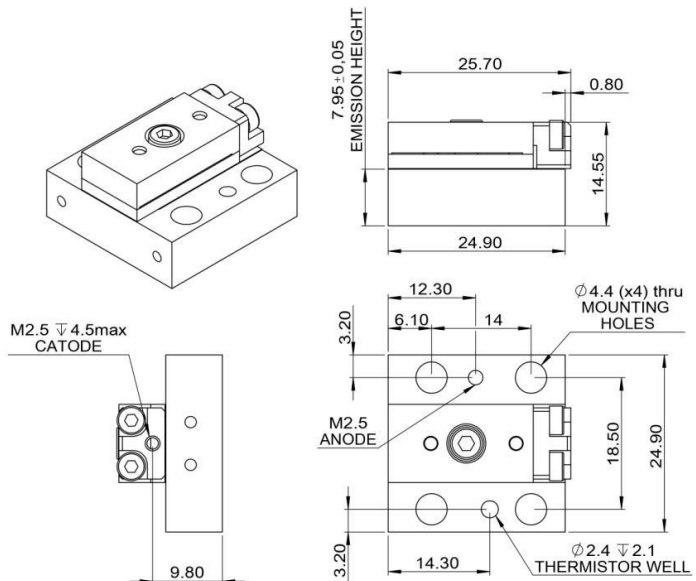


Conduction Cooled Laser Bar Mount CS-Mount λ 870-890 nm



Features:

- Solder-free laser bar mounting
- Improved cooling efficiency
- No “smile” effect
- No mechanical stress
- Central wavelength on demand

Suitable for:

- Interstitial laser induced thermotherapy
- Ophthalmology
- Odontology
- Surgical cardiology

- Hair removal
- Material processing
- Printing

Technical specifications ^(1,2)	
Wavelength ⁽³⁾ [nm]	870 - 890
Wavelength tolerance [nm]	±5
Spectral width, FWHM [nm]	< 5
Wavelength shift [nm/K]	0.33
Output power ^(2,4) [W]	CW - up to 100 / QCW – up to 500
Operating current [A]	CW < 120 / QCW < 480
Differential slope, after threshold [W/A]	1.2
Voltage @ connectors ⁽⁵⁾ [V]	2
Optics (optional)	FAC / SAC / BT
Smile [µm]	< 0.1

1. Specifications at 20 °C, at the beginning of the lifetime
2. Specifications are subject to chips availability
3. Other wavelengths on request
4. Expected output power per laser bar can varies based on current and temperature
5. Voltage from the power supply must be higher, as due to high current there will be a voltage drop in the cables