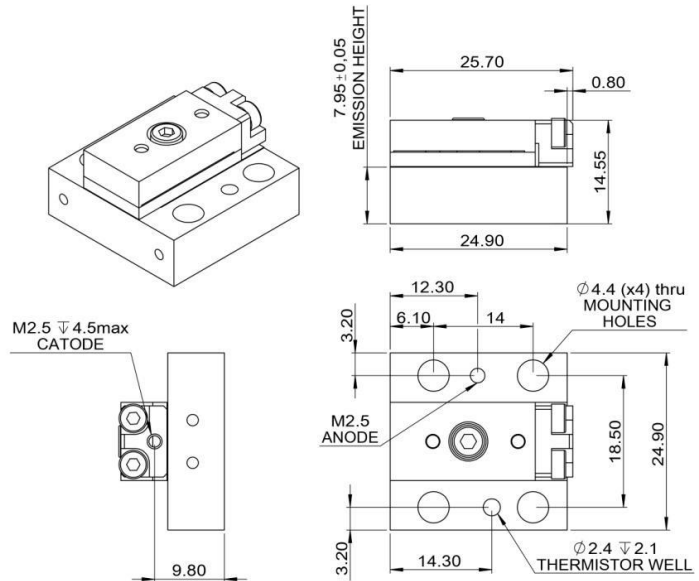


Conduction Cooled Laser Bar Mount CS-Mount λ 910-920 nm



Features:

- Solder-free laser bar mounting
- Improved cooling efficiency
- No “smile” effect
- No mechanical stress
- Central wavelength on demand

Suitable for:

- Hair removal
- Odontology
- Material processing
- Defense

Technical specifications ^(1,2)	
Wavelength ⁽³⁾ [nm]	910 - 920
Wavelength tolerance [nm]	±5
Spectral width, FWHM [nm]	< 5
Wavelength shift [nm/K]	0.27
Output power ^(2,4) [W]	200
Operating current [A]	< 220
Differential slope, after threshold [W/A]	1.1
Voltage @ connectors ⁽⁵⁾ [V]	1.9
Optics (optional)	FAC / SAC / BT
Smile [μ m]	< 0.1

- Specifications at 20 °C, at the beginning of the lifetime
- Specifications are subject to chips availability
- Other wavelengths on request
- Expected output power per laser bar can varies based on current and temperature
- Voltage from the power supply must be higher, as due to high current there will be a voltage drop in the cables