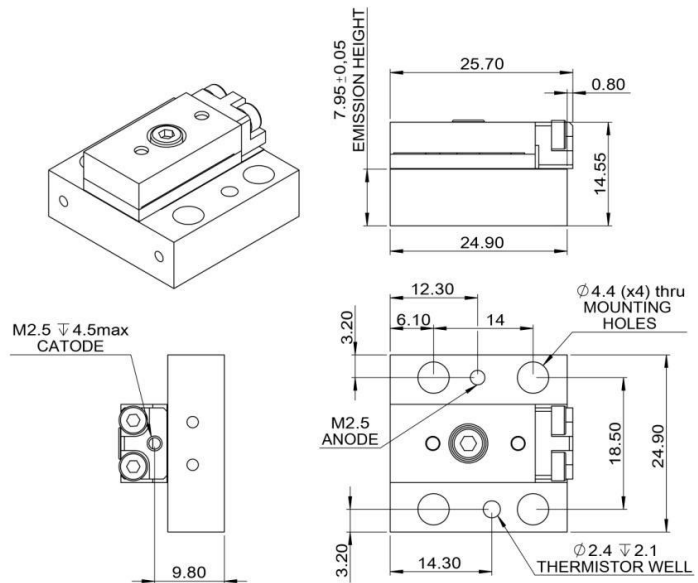


Conduction Cooled Laser Bar Mount CS-Mount λ 960-980 nm



Features:

- Solder-free laser bar mounting
- Improved cooling efficiency
- No “smile” effect
- No mechanical stress
- Central wavelength on demand

Suitable for:

- Hair removal
- Surgical cardiology
- Odontology
- Ophthalmology

- Interstitial laser induced thermotherapy
- Material processing
- Printing

Technical specifications ^(1,2)	
Wavelength ⁽³⁾ [nm]	960 - 980
Wavelength tolerance [nm]	±5
Spectral width, FWHM [nm]	< 5
Wavelength shift [nm/K]	0.4
Output power ^(2,4) [W]	CW - up to 150 / QCW – up to 400
Operating current [A]	CW < 160 / QCW < 380
Differential slope, after threshold [W/A]	1.1
Voltage @ connectors ⁽⁵⁾ [V]	1.8
Optics (optional)	FAC / SAC / BT
Smile [μm]	< 0.1

1. Specifications at 20 °C, at the beginning of the lifetime
2. Specifications are subject to chips availability
3. Other wavelengths on request
4. Expected output power per laser bar can varies based on current and temperature
5. Voltage from the power supply must be higher, as due to high current there will be a voltage drop in the cables