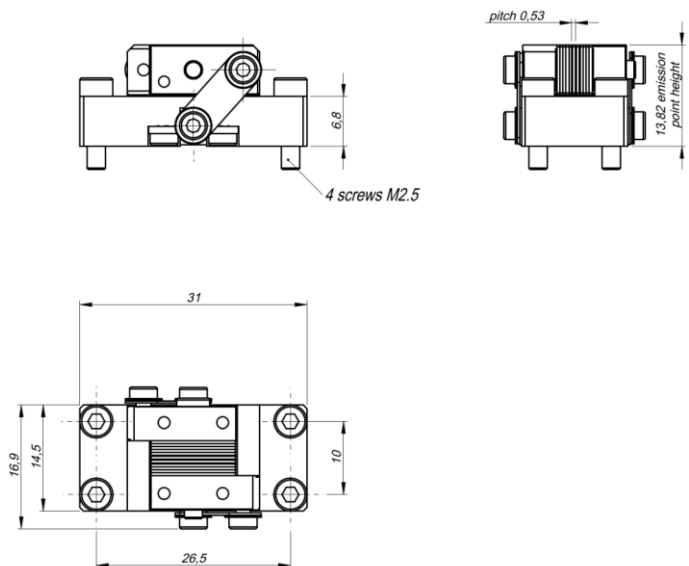


# Conduction Cooled Laser Bar Stack M-Stack $\lambda$ 870-890 nm



### Features:

Improved cooling efficiency  
 No “smile” effect  
 No mechanical stress  
 Number of bars on demand  
 Central wavelength on demand

### Suitable for:

Hair removal  
 Defense applications  
 Material processing  
 Industrial applications  
 Printing

Technical specifications <sup>(1,2)</sup>	
Wavelength <sup>(3)</sup> [nm]	870 - 890
Wavelength tolerance [nm]	±5
Spectral width, FWHM [nm]	< 5
Wavelength shift [nm/K]	0.33
Output power, QCW <sup>(2,4)</sup> [W]	up to 500 / laser bar
Operating current [A]	< 480
Differential slope, after threshold [W/A]	1.2
Voltage @ connectors <sup>(5)</sup> [V]	2 - 20
Bar to bar pitch [mm]	down to 0.4
Optics (optional)	FAC / SAC / BT
Bars per stack <sup>(6)</sup>	1 - 10
Smile [µm]	< 0.1

1. Specifications at 20 °C, at the beginning of the lifetime
2. Specifications are subject to chips availability
3. Other wavelengths on request
4. Expected output power can varies based on current and temperature
5. Voltage from the power supply must be higher, as due to high current there will be a voltage drop in the cables
6. Pitch dependent

M-STACK / 870 - 890 nm  
 Version: 1.0.0.0 October 2021  
 Product specification are subject to change without notice.  
 For complete details, please contact your local MONOCROM sales representative.

MONOCROM S.L.  
 C/Vilanoveta 6  
 08800 Vilanova i la Geltrú  
 Spain

T. +34 938 149 450  
 E. sales@monocrom.com  
[www.monocrom.com](http://www.monocrom.com)

UNE EN ISO 9001:2015