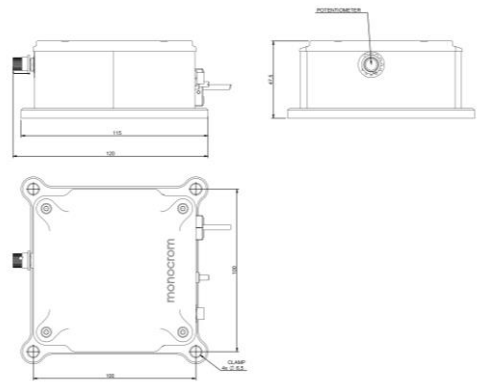
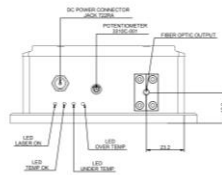
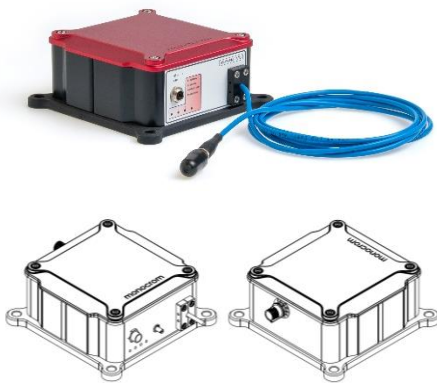


Single Emitter

S-Series λ 375 - 2200 nm



Features:

- Wavelength stabilized
- Narrow line width
- Polarization maintaining
- Compact design
- Internal TEC and driver

Suitable for:

- HeNe replacement
- Raman spectroscopy
- DHM metrology
- Bio-medics
- Illumination
- Metrology

Technical specifications ^(1,2)	
Wavelength ⁽³⁾ [nm]	375 - 2200
Linewidth [nm]	wavelength dependent
Optical power ⁽⁴⁾ [mW]	1 - 3000
Power stability	0.5% rms @ 8 h
Operating current [mA]	wavelength dependent
Voltage @ connectors [V]	5 or 9
Pulse width [μ s]	10 up to CW
Pulse repetition rate [kHz]	CW up to 30
Power modulation depth [%]	0 - 100
Fiber type	single mode, polarization maintaining or multi-mode
Fiber core diameter [μ m]	fiber type dependent
Fiber numerical aperture	fiber type dependent
Fiber connector (detachable)	SMA, FC/PC, FC/APC
Fiber length [m]	1.0 - 1.5
Fiber collimator	optional
Electrical connection	JACK 722RA
Reverse voltage protection circuit	built in
Operating temperature [°C]	(-10) - (+60)
Storage temperature [°C]	(-20) - (+70)
Laser class [EN-60825]	2 - 3B

1. Specifications at 20 °C, at the beginning of the lifetime
 2. Specifications are subject to chips availability
 3. Other wavelengths on request
 4. Measured after fiber output